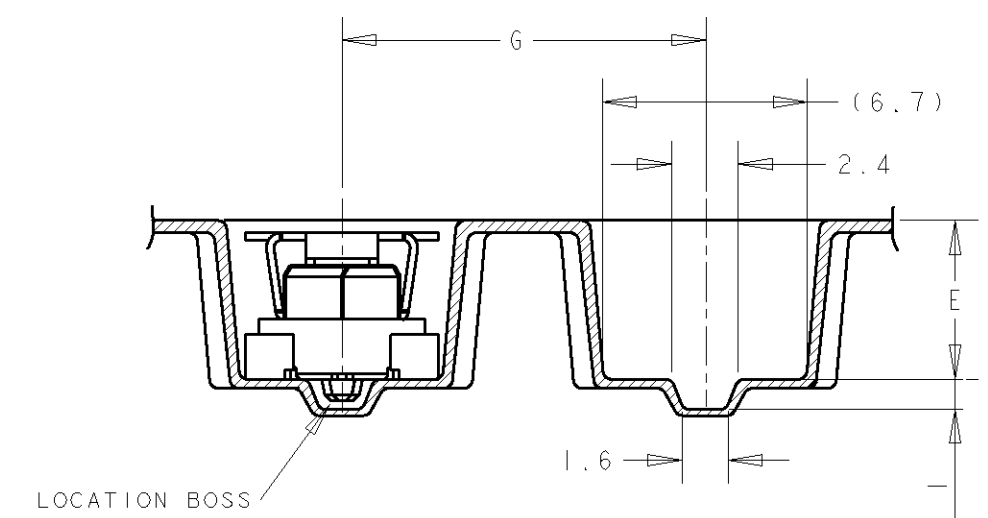
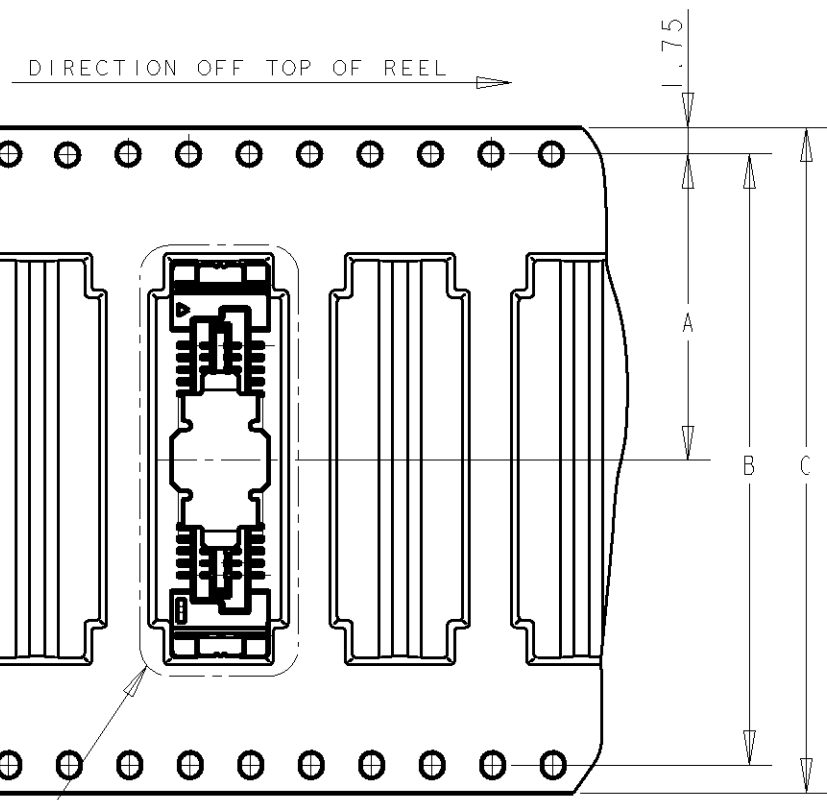


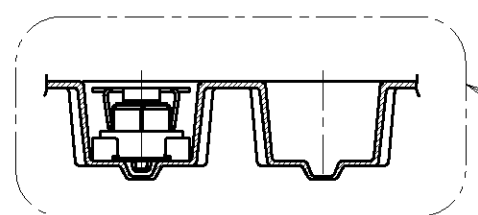
THIS DRAWING IS UNPUBLISHED. RELEASED FOR PUBLICATION .19
 © COPYRIGHT 19 BY AMP INCORPORATED. ALL RIGHTS RESERVED.

LOC	DIST	REVISIONS					
		P	LTR	DESCRIPTION	DATE	DWN	APVD
DY	-	0		NPR FP00-0274-04	INOV04	LWY	VT

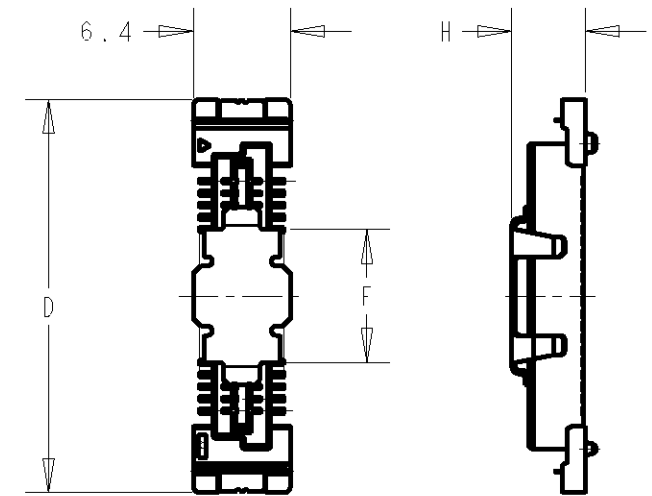


DETAIL A
(SCALE 4-1)

DETAIL B

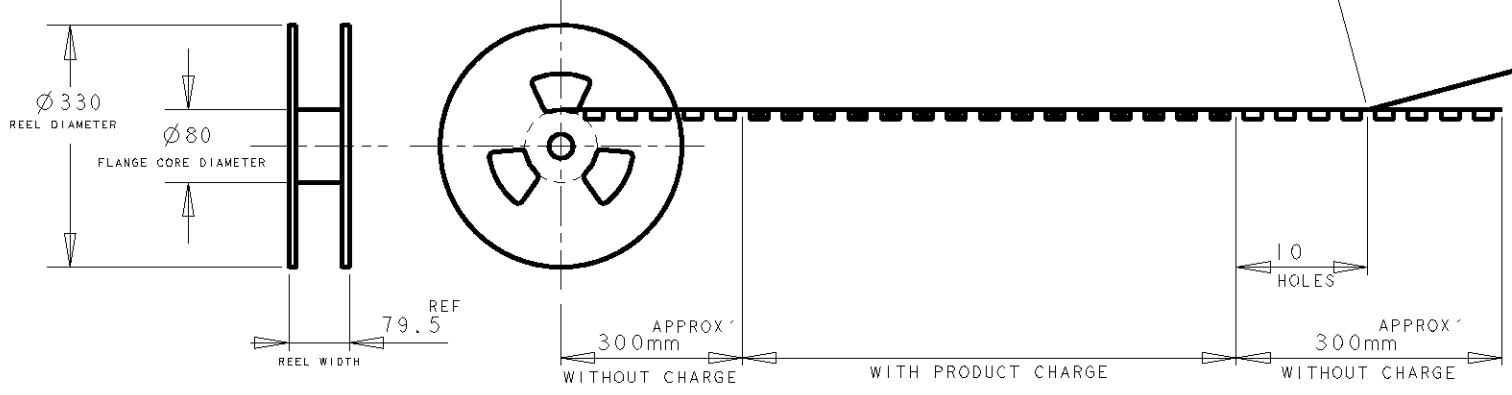


DETAIL A



DETAIL B

WEEDING THE COVER TAPE AROUND THE OUTER PERIPHERY IN A TURN.



700	4	16	17	4.4	58	72	68.4	34.2	120	-5	-5
	4.85	12	8.8	5.25	42	56	52.4	26.2	80	-4	-4
	4.85	12	8.8	5.25	26	44	40.4	20.2	60	-3	-3
	4.85	12	8.8	5.25	26	44	40.4	20.2	40	-2	-2
900	4.85	12	8.8	5.25	26	44	40.4	20.2	40	5177934-1	5179160-1
QYT	H	G	F	E	D	C	B	A	POS	CONN P/N	PART NO.

NOTE;
 △ THIS ITEM IS PRELIMINARY.
 2. THIS PRODUCT WAS COATED BY FLUX-PENETRATION -INHIBITING AGENT.

THIS DRAWING IS A CONTROLLED DOCUMENT FOR AMP INCORPORATED. IT IS SUBJECT TO CHANGE AND THE CONTROLLING ENGINEERING ORGANIZATION SHOULD BE CONTACTED FOR THE LATEST REVISION.		DWN WYLEE 01NOV2004	tyco Electronics Tyco Electronics Singapore Pte. Ltd.	
DIMENSIONS: mm	TOLERANCES UNLESS OTHERWISE SPECIFIED: 0 PLC ± 1 PLC ±0.20 2 PLC ±0.25 3 PLC ±0.30 4 PLC ± ANGLES ±3°	CHK VINCENT TAN	NAME REC ASS'Y WITH SOLDER PEG, FH 0.8mm B-T-B CONN. (STACK HEIGHT 5-8mm, 0.7 BOSS LENGTH) ON TAPING	
MATERIAL	FINISH	APVD ERIC TNG	PRODUCT SPEC	SIZE A3
		APPLICATION SPEC	WEIGHT	CAGE CODE 00779
		CUSTOMER DRAWING	SCALE	DRAWING NO C-5179160
				SHEET OF REV 0